

1
2
3
4
5
6
7
8
9
10
11
12
13
14
15
16
17
18
19
20
21
22
23

INSTRUCTIONS FOR USE
PROVENTIL[®] HFA (prō-vent´-il)
(albuterol sulfate)
Inhalation Aerosol with Dose Indicator

Read this Instructions for Use before you start using PROVENTIL HFA and each time you get a refill. There may be new information. This information does not take the place of talking to your doctor about your medical condition or treatment. Your doctor should show you how your child should use PROVENTIL HFA.

Important Information:

- **PROVENTIL HFA is for oral inhalation use only.**
- Take PROVENTIL HFA exactly as your doctor tells you to.

PROVENTIL[®] HFA Inhalation Aerosol comes as a canister with a dose indicator. The dose indicator is located on the top of the canister that fits into an actuator (**See Figure A**). The dose indicator display window will show you how many puffs of medicine you have left. A puff of medicine is released each time you press the center of the dose indicator.

- Do not use the PROVENTIL HFA actuator with a canister of medicine from any other inhaler.
- Do not use the PROVENTIL HFA canister with an actuator from any other inhaler.

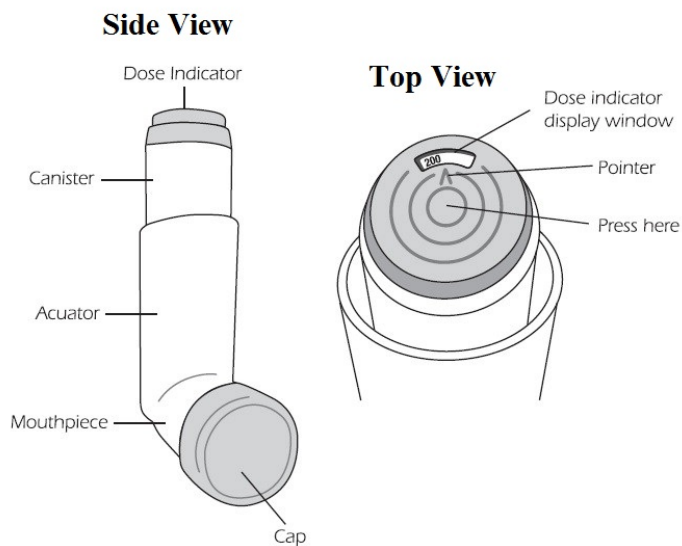


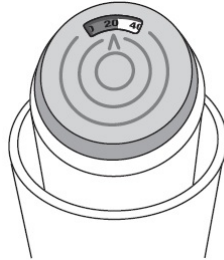
Figure A

Before you use PROVENTIL HFA for the first time make sure that the pointer on the dose indicator is pointing to the right of the “200” inhalation mark in the dose indicator display window (**See Figure A**).

Each canister of PROVENTIL HFA contains 200 puffs of medicine. This does not include the sprays of medicine used for priming your inhaler.

- The dose indicator display window will continue to move after every 10 puffs.

- 35
- 36
- 37
- 38
- 39
- 40
- 41
- The number in the dose indicator display window will continue to change after every 20 puffs.
 - The color in the dose indicator display window will change to red, as shown in the shaded area, when there are only 20 puffs of medicine left in your inhaler (**See Figure B**). This is when you need to refill your prescription or ask your doctor if you need another prescription for PROVENTIL HFA.



42

43

44

Figure B

45

Priming your PROVENTIL HFA inhaler:

46

47 **Before using your PROVENTIL HFA for the first time, you should prime your inhaler.** If

48 you do not use your PROVENTIL HFA for more than **2 weeks**, you should re-prime it before

49 use.

- 50
- 51
- 52
- 53
- 54
- 55
- 56
- 57
- 58
- 59
- 60
- 61
- Remove the cap from the mouthpiece (**See Figure C**). Check inside the mouthpiece for objects before use.
 - Make sure the canister is fully inserted into the actuator.
 - Hold the inhaler in an upright position away from your face and **shake the inhaler well**.
 - Press down fully on the center of the dose indicator to release a spray of medicine. You may hear a soft click from the dose indicator as it counts down during use.
 - Repeat the priming step 3 more times to **release a total of 4 sprays** of medicine. Shake the inhaler well before each priming spray.
 - After the 4 priming sprays, the dose indicator should be pointing to 200. There are now 200 puffs of medicine left in the canister.
 - Your inhaler is now ready to use.

62

63 **Using your PROVENTIL HFA inhaler:**

64

65 **Step 1: Shake the inhaler well before each use.** Remove the cap from the mouthpiece (**See**

66 **Figure C**). Check inside the mouthpiece for objects before use. Make sure the canister

67 is fully inserted into the actuator.

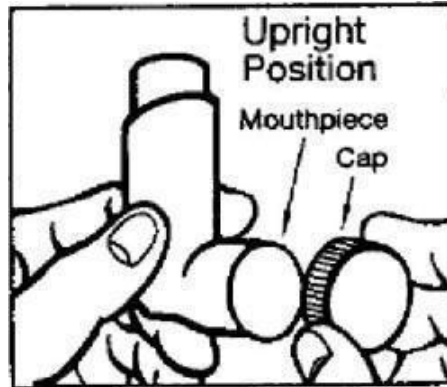


Figure C

68
69
70
71 **Step 2:** Breathe out as fully as you comfortably can through your mouth. Hold the inhaler in the
72 upright position with the mouthpiece pointing towards you and place the mouthpiece
73 fully into the mouth (See Figure D). Close your lips around the mouthpiece.
74



Figure D

75
76
77
78 **Step 3:** While breathing in deeply and slowly, press down on the center of the dose indicator
79 with your index finger until the canister stops moving in the actuator and a puff of
80 medicine has been released (See Figure D). Then stop pressing the dose indicator.
81

82 **Step 4:** Hold your breath as long as you comfortably can, up to 10 seconds. Remove the inhaler
83 from your mouth, and then breathe out.
84

85 **Step 5:** If your doctor has prescribed additional puffs of PROVENTIL HFA, wait 1 minute
86 then shake the inhaler well. Repeat steps 3 through 5 in the section “Using your
87 PROVENTIL HFA inhaler”.
88

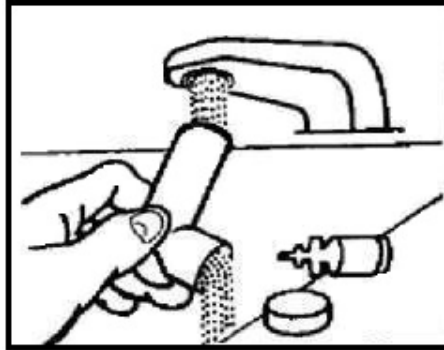
89 **Step 6:** Replace the cap right away after use.
90

91 **Cleaning your PROVENTIL HFA inhaler:** 92

93 It is very important that you keep the mouthpiece clean so that medicine will not build up and
94 block the spray through the mouthpiece. **Clean the mouthpiece 1 time each week** or if your
95 mouthpiece becomes blocked (See Figure F).

96 **Step 1:** Remove the canister from the actuator and take the cap off the mouthpiece. **Do not**
97 **clean the metal canister or let it get wet.**

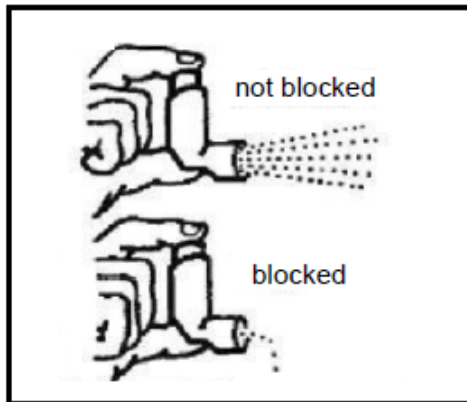
98
99 **Step 2:** Wash the mouthpiece through the top and bottom with warm running water for 30
100 seconds (See **Figure E**).
101



102
103 **Figure E**
104

105 **Step 3:** Shake off as much water from the mouthpiece as you can.
106

107 **Step 4:** Look in the mouthpiece to make sure any medicine buildup has been completely
108 washed away. If the mouthpiece is blocked with buildup, little to no medicine will come
109 out of the mouthpiece (See **Figure F**). If there is any buildup, repeat Steps 2 through 4
110 in the section “**Cleaning your PROVENTIL HFA inhaler**”.
111



112
113 **Figure F**
114

115 **Step 5:** Let the mouthpiece air-dry such as overnight (See **Figure G**). **Do not** put the canister
116 back into the actuator if it is still wet.
117

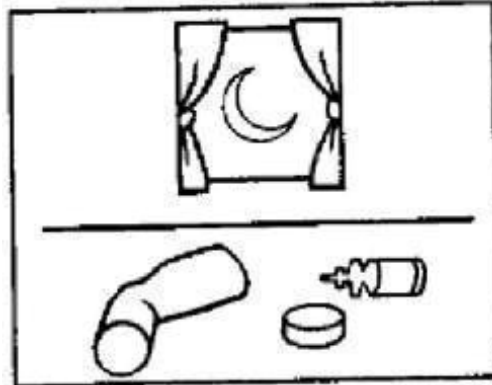


Figure G

118
119
120
121
122
123
124
125
126
127
128
129
130

Step 6: When the mouthpiece is dry, put the canister back in the actuator and put the cap on the mouthpiece.

Note: If you need to use your PROVENTIL HFA inhaler before it is completely dry, put the canister back in the actuator and shake the inhaler well. Press down on the center of the dose indicator 2 times to release a total of **2 sprays** into the air, away from your face. Take your dose as prescribed then clean and air-dry your inhaler as described in the section “**Cleaning your PROVENTIL HFA inhaler**”.

How should I store PROVENTIL HFA?

- Store PROVENTIL HFA at room temperature between 59°F and 77°F (15°C and 25°C).
- Store with the mouthpiece down.
- Avoid exposing PROVENTIL HFA to extreme heat and cold.
- Do not puncture or burn the canister.
- **Keep your PROVENTIL HFA inhaler and all medicines out of the reach of children.**

136

Manufactured for: Merck Sharp & Dohme Corp., a subsidiary of



MERCK & CO., INC., Whitehouse Station, NJ 08889, USA

137

Developed and Manufactured by:

3M Health Care Limited

Loughborough UK

or

3M Drug Delivery Systems

Northridge, CA 91324, USA

144

Copyright © 1996, 2011, 2012, 2017
Merck Sharp & Dohme Corp., a subsidiary of
Merck & Co., Inc.
All rights reserved.

34-8720-1598-6

This Instructions for Use has been approved by the U.S. Food and Drug Administration.

Revised: 09/2017

145